



U&T OPTICAL PRODUCT CATALOG





Company profile

Hubei Hexin Photoelectric Technology Co., LTD., a wholly-owned subsidiary of U&T Group, has long been engaged in the research, development, production and sales of optical communication devices and optical modules. At present, there are more than 400 employees, with 10,000 grade clean workshop about 5,000 square meters, 100,000 grade clean workshop about 15,000 square meters,

The company has rich experience and top manufacturing capability in the field of optical communication active devices. The company's products include various wavelength semiconductor laser components, detector components (TOSA&ROSA&PON BOSA) and optical modules of various rates, which can be supplied in large quantities in a long-term and stable way. At present, the products are widely used in access network, wireless network, transmission network, data center and other fields.

The company has a professional and experienced R & D team, to provide customers with rapid and professional services, a number of domestic patents, product design to keep up with the industry and customer needs. The company's realistic and innovative high-quality R & D team and advanced experimental equipment ensure that the company's R & D strength in the industry leading level.

The company has a strong manufacturing capacity, self-developed automatic coupling/welding, automatic laser engraving code, three temperature TE, fast high and low temperature production equipment, a variety of semi-automatic detection, measurement tools, the annual output of more than 20 million products.

The company has the design and production capacity of 200G/100G QSFP-DD/ QSFP28, 40G QSFP+, 25G SFP28, XFP DWDM/CWDM, SFP/SFP+ DWDM/CWDM and other commercial and industrial series optical modules. The product basically covers active optical modules of various rates and different packages for transmission and data communication. We provide the best optical communication solutions for customers in the fields of data communication, long-distance transmission, wireless access, SDH, network monitoring, cloud computing and data centers. After several years of efforts, the products with the most reasonable price, excellent performance indicators, rapid response to customers and the most perfect service, won the domestic and foreign customers praise and trust, become one of the fastest growing enterprises in the optical communication industry.



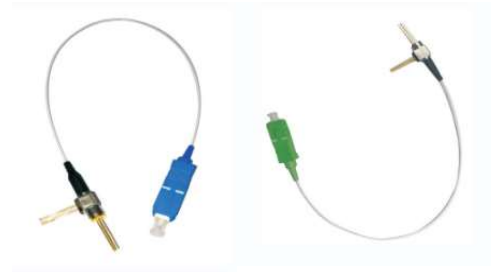
TOSA



ROSA



Receptacle BOSA



Pigtail BOSA



Optical Transceivers

Part1: TOSA

Features

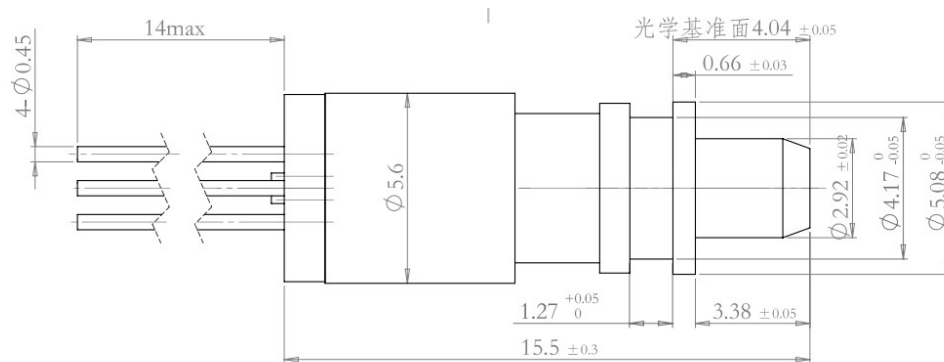
- Low threshold current
- High bandwidth
- FP/DFB/EML Laser Chip
- Built-in InGaAs monitor photodiode
- Interface: Receptacle LC/SC
- ROHS 2.0 Compliant

Applications

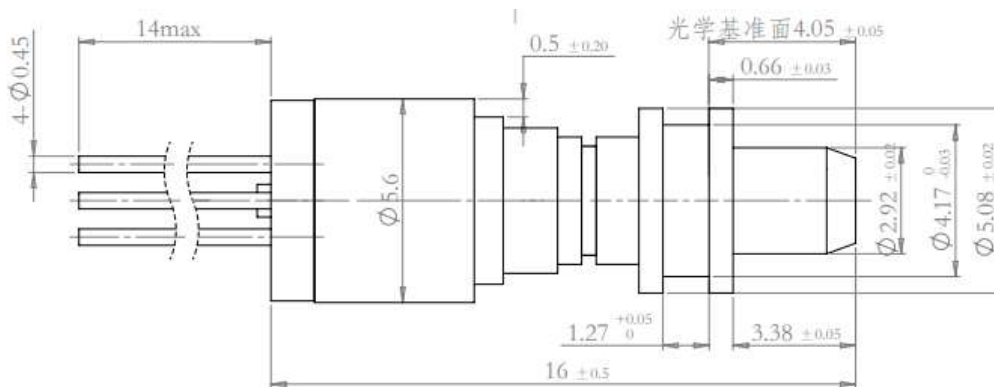
- Optical Communication systems
- Fiber Channel
- SDH/STM/CPRI/ECPRI/WDM
- Datacom

Outside drawing

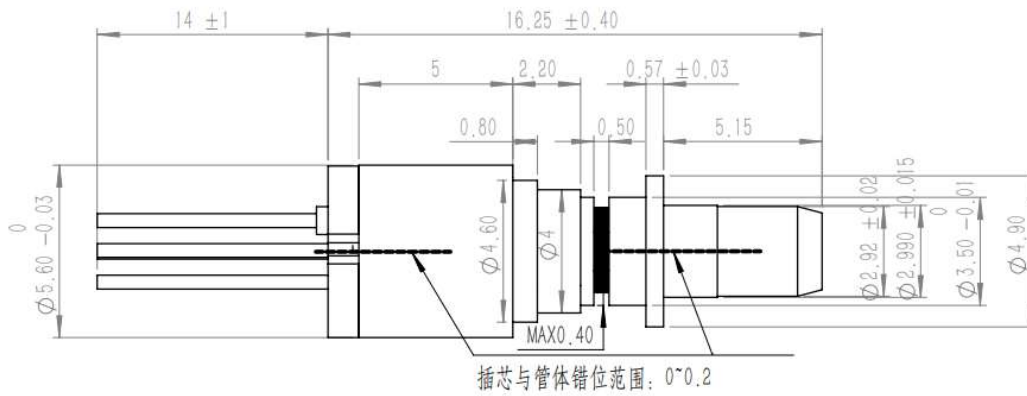
- Type 1:



- Type2:



- Type3



Ordering Information

Part NO.	Rate date (Gb/s)	Wavelength (nm)	Reach (km)	Interface	TEC	LD	Tx Power (dbm)	Temp (°C)
CT011001	1.25	1310	10	LC	NO	FP	-3~0	-40~+85
CT011002	1.25	1550	40	SC	NO	DFB	+3~+6	-40~+85
CT011003	2.5	1310	40	LC	NO	DFB	+0~+5	-40~+85
CT011004	2.5	1550	80	LC	NO	DFB	+3~+7	-40~+85
CT021005	10	1310	1.4	LC	NO	DFB	-3~0	-40~+85
CT021006	10	1310	10	LC	NO	DFB	+0~+5	-40~+85
CT021007	10	1550	40	LC	YES	EML	+3~+7	-40~+85
CT021008	10	1550	80	LC	YES	EML	+3~+7	-40~+85
CT021009	10	1270	20	LC	NO	DFB	+0~+5	-40~+85
CT021010	10	1290	20	LC	NO	DFB	+0~+5	-40~+85
CT021011	10	1310	20	LC	NO	DFB	+0~+5	-40~+85
CT021012	10	1330	20	LC	NO	DFB	+0~+5	-40~+85
CT021013	10	1350	20	LC	NO	DFB	+0~+5	-40~+85
CT021014	10	1370	20	LC	NO	DFB	+0~+5	-40~+85
CT031015	25	1310	10	LC	NO	DFB	+0~+5	-40~+85
CT041016	50	1295	20	LC	YES	DFB	+0~+5	-40~+85
CT041017	50	1300	20	LC	YES	DFB	+0~+5	-40~+85
CT041018	50	1304	20	LC	YES	DFB	+0~+5	-40~+85
CT041019	50	1309	20	LC	YES	DFB	+0~+5	-40~+85

Note: In addition to the above models, we can customize the product specifications according to customer requirement.

Part2: ROSA

Features

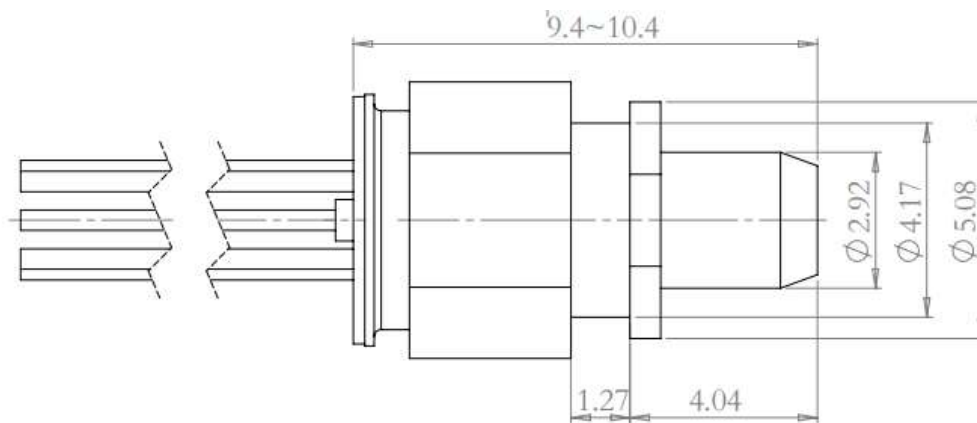
- Single +3.3V power supply
- 1260~1600nm operating wavelength
- High bandwidth
- High reliability
- Interface: Receptacle LC/SC
- ROHS 2.0 Compliant

Applications

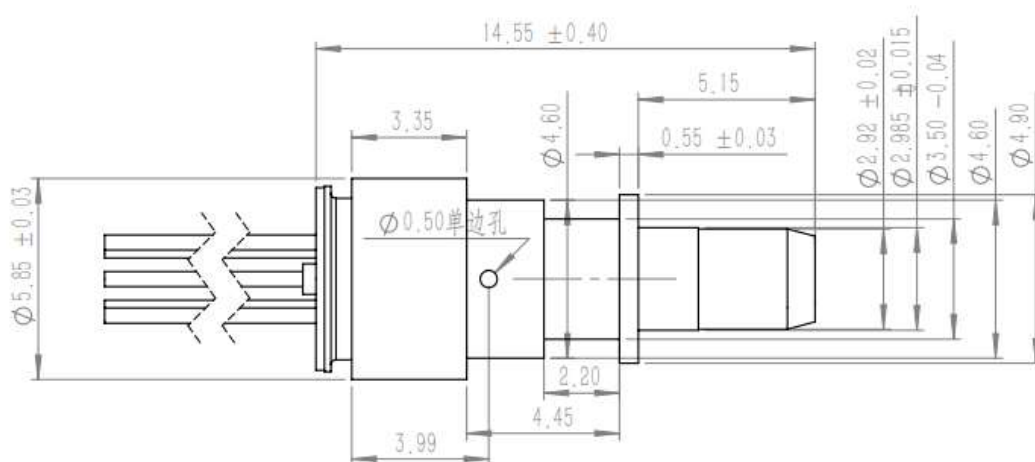
- Optical Communication systems
- Fiber Channel
- SDH/STM/CPRI/ECPRI/WDM
- Datacom

Outside drawing

- Type 1:



- Type2:





Ordering Information

Part NO.	Rate date (Gb/s)	Wavelength (nm)	Reach (km)	Interface	TEC	PD	Sensimivity (dbm)	Temp (°C)
CR011001	1.25	1310	20	LC	NO	PD	<-26	-40~+85
CR011002	1.25	1550	40	SC	NO	APD	<-31	-40~+85
CR011003	2.5	1310	40	LC	NO	APD	<-31	-40~+85
CR011004	2.5	1550	80	LC	NO	APD	<-31	-40~+85
CR021005	10	1310	1.4	LC	NO	PD	<-16	-40~+85
CR021006	10	1310	10	LC	NO	PD	<-16	-40~+85
CR021007	10	1550	80	LC	YES	APD	<-21	-40~+85
CR021008	10	1270	20	LC	NO	APD	<-18	-40~+85
CR031009	25	1310	10	LC	NO	PD	<-18	-40~+85
CR041010	50	1295	20	LC	YES	APD	<-15	-40~+85
CR041011	50	1300	20	LC	YES	APD	<-15	-40~+85
CR041012	50	1304	20	LC	YES	APD	<-15	-40~+85
CR041013	50	1309	20	LC	YES	APD	<-15	-40~+85

Note:In addition to the above models, we can customize the product specifications according to customer requirement.

Part3: Receptacle BOSA

Features

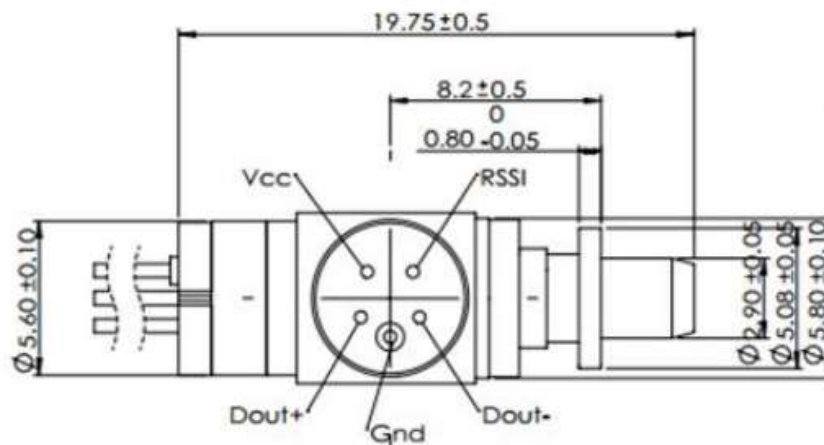
- Low threshold current
- FP/DFB/EML Laser Chip
- Single +3.3V power supply
- 1260~1600nm operating wavelength
- High bandwidth
- High reliability
- Interface: Receptacle LC/SC
- ROHS 2.0 Compliant

Applications

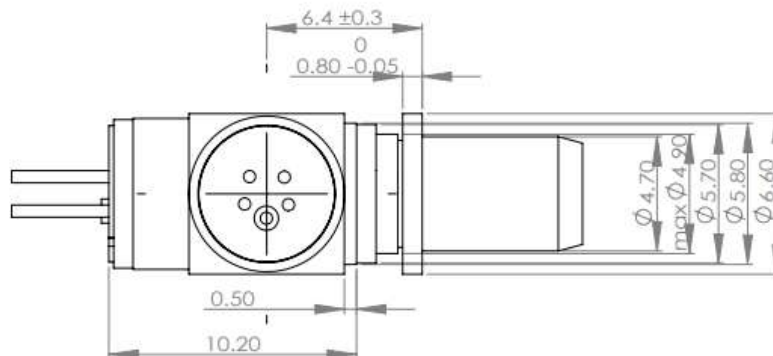
- Optical Communication systems
- CPRI/ECPRI
- PON

Outside drawing

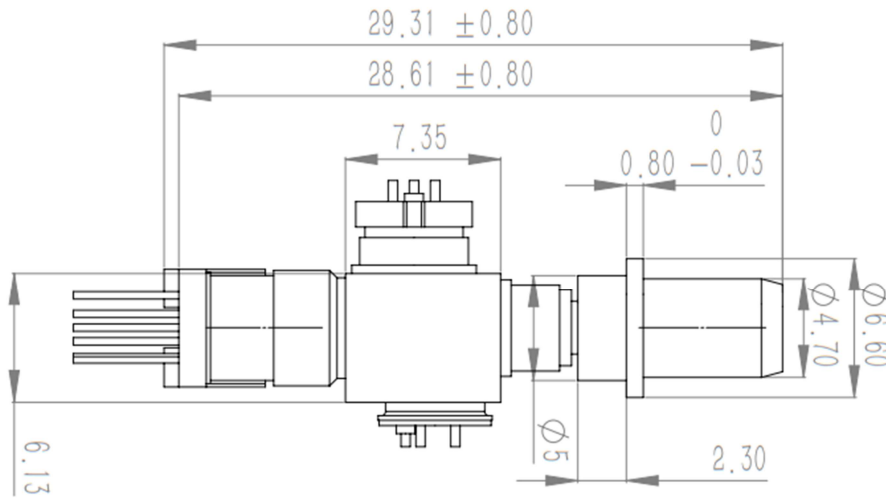
- Type 1:



- Type2:



- Type3:



Ordering Information

Part NO.	Rate date (Gb/s)	Wavelength (nm)	Reach (km)	Interface	Tx Power (dbm)	Sensitivity (dbm)	Temp (°C)
CB011001	1.25/2.5	1310/1490	20	SC	+0.15~+5.5	<-29	-40~+85
CB021002	10/10	1270/1330	10	LC	0~+3	<-16	-40~+85
CB021003	10/10	1330/1270	10	LC	0~+3	<-16	-40~+85
CB021004	10/10	1270/1330	40	LC	+3~+7	<-21	-40~+85
CB021005	10/10	1330/1270	40	LC	+3~+7	<-21	-40~+85
CB021006	10/10	1270/1330	80	LC	+4~+9	<-21	-40~+85
CB021007	10/10	1330/1270	80	LC	+4~+9	<-21	-40~+85
CB031008	25/25	1270/1330	10	LC	0~+3	<-15	-40~+85
CB031009	25/25	1330/1270	10	LC	0~+3	<-15	-40~+85
CB031010	25/2.5	1270/1330	30	LC	+3~+7	<-21	-40~+85
CB031011	25/25	1330/1270	30	LC	+3~+7	<-21	-40~+85
CB021012	10/2.5	1577/1490 1270/1310	40	SC	T1:0~+5 T2:+3~+7	R1:-31 R2:-21	-40~+85

Note: In addition to the above models, we can customize the product specifications according to customer requirement.

Part4: Pigtail BOSA

Features

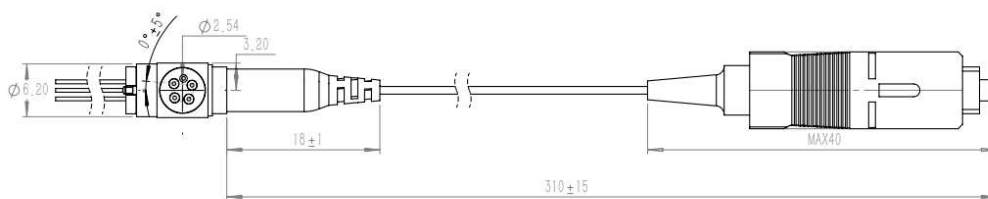
- Low threshold current
- FP/DFB Laser Chip
- Single +3.3V power supply
- 1260~1600nm operating wavelength
- High bandwidth
- High reliability
- Interface:Receptacle LC/SC
- ROHS 2.0 Compliant

Applications

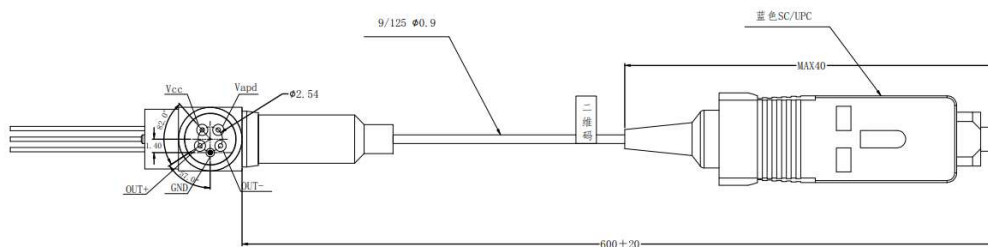
- Optical Communication systems
- PON

Outside drawing

- Type 1:



- Type2:



Ordering Information

Part NO.	Rate date (Gb/s)	Wavelength (nm)	Fiber Length (mm)	Interface	Tx Power (dbm)	Sensitivity (dbm)	Temp (°C)
CB011001	1.25/2.5	1310/1490	310	SC/UPC	+0.15~+5.5	<-29.5	-20~+85
CB021002	1.25/2.5	1310/1490	310	SC/APC	+0.15~+5.5	<-29.5	-20~+85
CB021003	2.5/10	1270/1577	600	SC/UPC	+3~+6	<-30	-20~+85
CB021004	10/10	1270/1577	600	SC/APC	+4~+9	<-30	-20~+85

Note:In addition to the above models, we can customize the product specifications according to customer requirement.

Part5: Optical Transceivers

Features

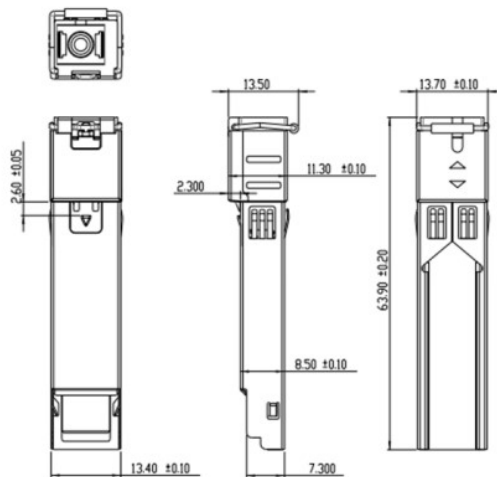
- Electrically hot-pluggable
- Support Digital Diagnostic Monitoring interface
- Metal enclosure,for lower EMI
- Single +3.3V power supply
- 1260~1600nm operating wavelength
- High bandwidth
- High reliability
- Interface:Receptacle LC/SC
- ROHS 2.0 Compliant

Applications

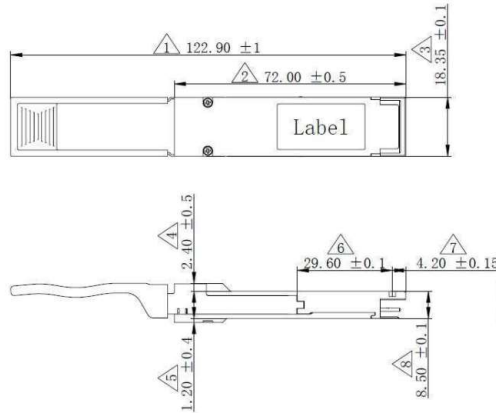
- Optical Communication systems
- CPRI/ECPRI
- PON

Outside drawing

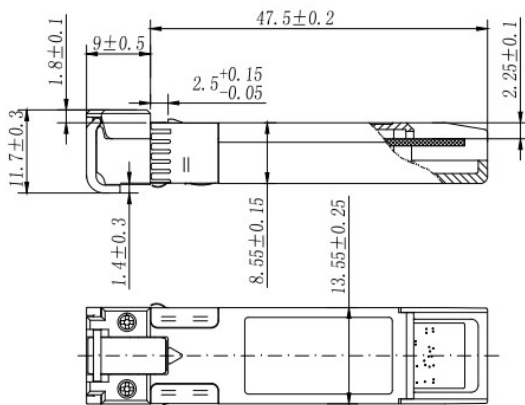
- Type 1:



- Type2:



● Type3:



Ordering Information

Part NO.	Rate date (Gb/s)	Reach (km)	Packaging	Interface	Tx Power (dbm)	Sensitivity (dbm)	Temp (°C)
CM011001	1.25/2.5	20	SFP	SC	+0.15~+5.5	<-28	-20~+85
CM021002	2.5	80	SFP	LC	0~+4	<-28	-40~+85
CM031003	10/10	20	SFP+	SC	+4~+9	<-28.5	-20~+85
CM031004	10	0.3	SFP+	LC	-6~-1	<-10	-40~+85
CM031005	10	10	SFP+	LC	-6.5~+0.5	<-14.4	-40~+85
CM031006	10	40	SFP+	LC	-1~+3	<-15.8	-40~+85
CM041007	25	0.1	SFP28	LC	-8.4~+2.4	<-10	0~+70
CM041008	25	10	SFP28	LC	-7~+2.0	<-14	-40~+85
CM051009	50	10	QSFP28	LC	-4~+4.2	<-8.4	0~+70
CM051010	50	40	QSFP28	LC	0.4~6.6	<-15	-40~+85
CM061011	100	0.15	QSFP28	LC	-8.4~+2.4	<-10.3	0~+70
CM061012	100	2	QSFP28	LC	-6.5~+2.5	<-10	0~+70
CM061013	100	10	QSFP28	LC	-4.3~+4.5	<-10.6	-40~+85

Note: In addition to the above models, we can customize the product specifications according to customer requirement.